

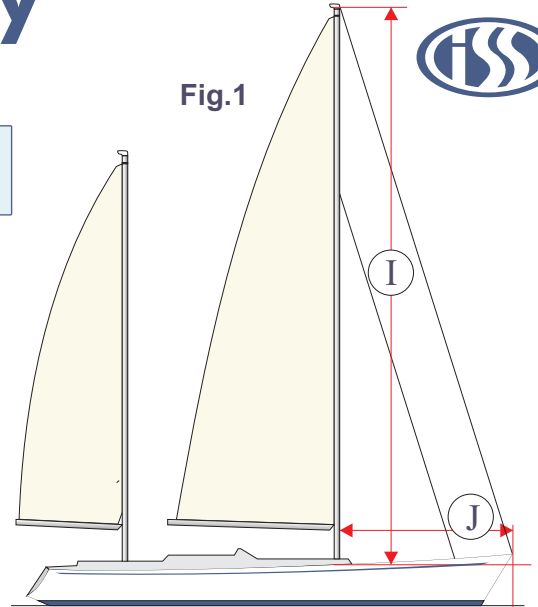


# Inter Sail Supply

## SPINNAKER MEASUREMENT SHEETS (2)



Fig.1



Yellow Boxes Information **SHOULD** be given

Blue Boxes Information optional

### Rig dimensions in metres:

Foretriangle: I  J

### MPS / Blister

( MPS Multi Purpose Spinnaker / Blister - asymmetrical )

Area  m<sup>2</sup>

Luff  m

Weight  gr

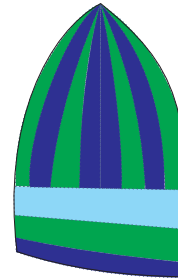
Cut

Sock :  Y / N

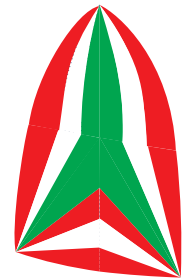
**Design:** We can offer you three types of cut



Tri - Radial



Radial Head



Starcut

**Colours:** Up to three colours included in the standard price. Colour range depending on availability.

**Colour range:** light blue, ocean blue, dark blue, white, red, green, fluorescent gteen, fluorescent raspberry, yellow, coast gold, orange, black, grey, purple.

**Colour Panel Layout ( MPS / Blister)** [Click here](#)

### Symmetrical Spinnaker

Area  m<sup>2</sup>

Luff  m

Weight  gr

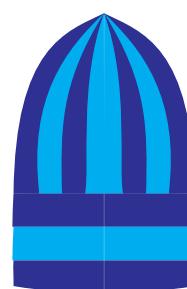
Cut

Sock :  Y / N

**Design:** We can offer you three types of cut



Tri - Radial



Radial Head



Starcut

**Colours:** Up to three colours included in the standard price. Colour range depending on availability.

**Colour range:** light blue, ocean blue, dark blue, white, red, green, fluorescent gteen, fluorescent raspberry, yellow, coast gold, orange, black, grey, purple.

**Colour Panel Layout (Spinnaker)** [Click here](#)



## Remarks 1 :

Additional information and tips (e.g.cuts, colours, gybing an MPS, etc) can also be found in our website under Spinnaker or Info and Tips

## Remarks 2 :

Spinnakers and MPS / Blisters with an area greater than 200 sqm in 1,5oz cloth, will be made with 2-ply leaches.

**ORDER**  **DATE**

**Boat name**

**Boat type and Make**

**Length**  **Weight**

**Owner**

**Tel**  **Fax**  **e-mail**

**Address for Order Confirmation and Invoice**

**Address for sail delivery**

**Date for sail delivery**

**Other comments**

We will send you the ORDER CONFIRMATION / INVOICE and our bank details within a few days.